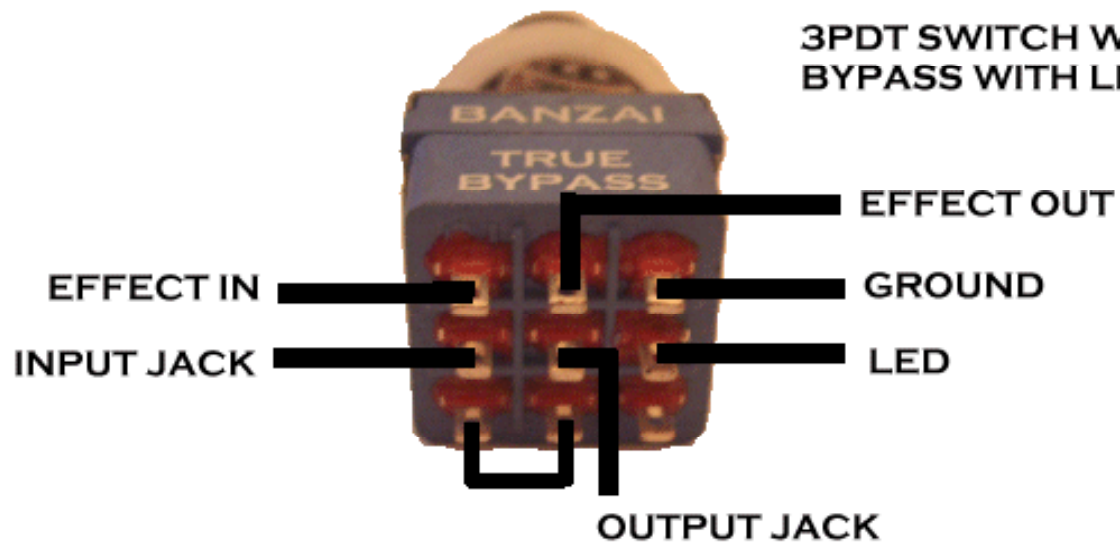


HOW TO WIRE 3PDT SWITCHES

3PDT SWITCH WIRING FOR TRUE BYPASS WITH LED INDICATOR



ALTERNATE METHOD GROUNDING EFFECT INPUT

